

## WARRANTY

This Tent is covered by a 12 month warranty. The Company undertakes to replace or repair, free of charge, any defect which the Company considers to be due to faulty workmanship or material within 12 months of the purchase date, except for:

- Damage caused by failure to replace the protective transit bags onto each captive pole receiver, when packing away.
- Defects arising from neglect, misuse or unauthorised modifications.
- Damage caused by storm, abuse, misuse, dropping or other similar damage caused by or as a result of failure to follow storage or erection instructions.
- Unauthorised alterations, additions or repairs.
- Transportation or shipment costs to and from the Manufacturer or their recognised agents, for repair or assessment against a warranty claim.
- Damage caused due to UV degradation.
- Materials and/or labour costs to renew, repair or replace components due to fair wear and tear or condensation.
- Tents used on permanent sites or displays.

THIS DOES NOT AFFECT YOUR STATUTORY RIGHTS.

The Manufacturer and/or their recognised agents, directors, employees or insurers will not be held liable for consequential or other damages, losses or expenses in connection with or by reason of or the inability to use the tent for any purpose.

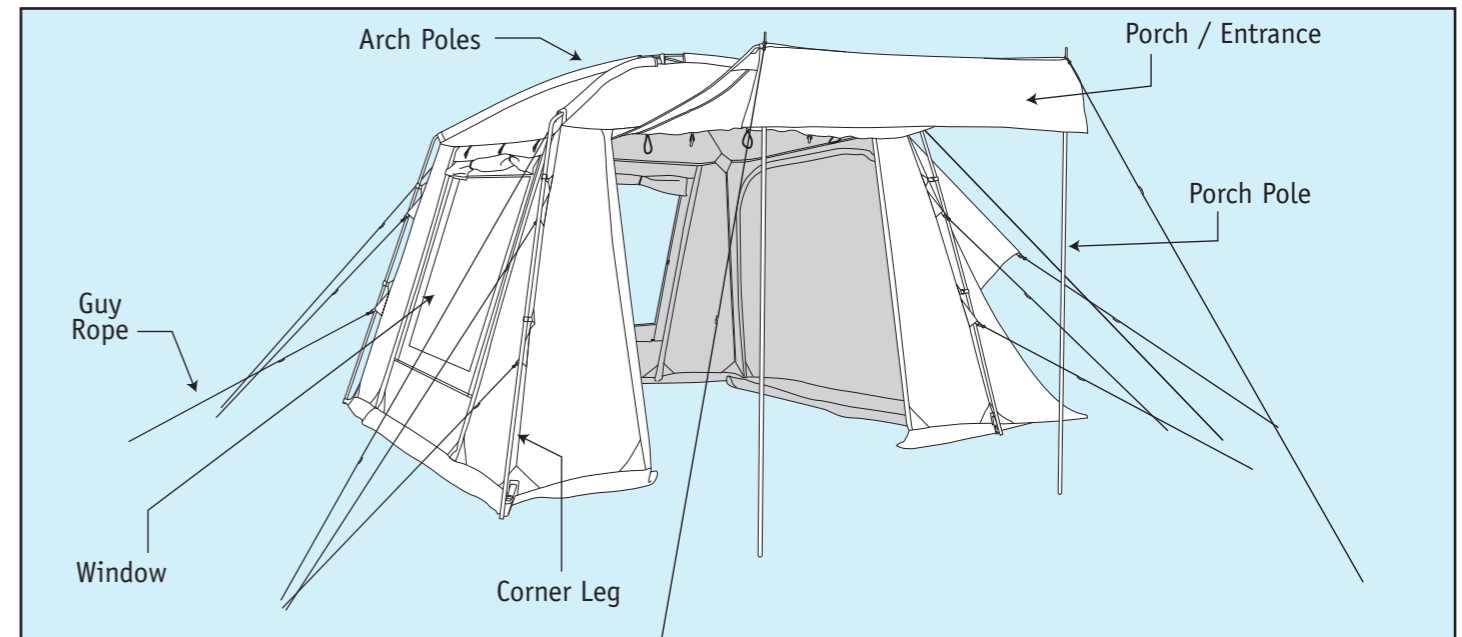
NOTE; Any claim(s) arising due to missing parts or faulty goods MUST be made before use. The manufacturer will not be responsible for any claims regarding missing parts or faulty items where the product has not been checked by the user prior to use.



*Thank you for purchasing the Travel Cabin Tent from SunnCamp.*

*Before erecting this tent, carefully read and understand these instructions. If there is anything you do not understand, contact your retailer for advice.*

*By following the instructions on erecting, dismantling, packing and storing the tent you will enjoy many years of trouble free camping.*



## PARTS LISTING

Your Travel Cabin Tent consists of the following items and you should check everything is present before setting off.

Tent Flysheet	1
Porch Poles	2
Poles Shocked Corded with Angles	2
Steel Corner Legs	4
Tent Peg Bag	1
Repair Kit	1
Tent Carry-Bag	1

It is a requirement of the warranty that you unpack and erect this tent at home prior to proper use. This will enable you to familiarise yourself with the tent and check all parts are present and in good condition.

If you find any part missing or a fault with your tent, contact the retailer before returning or using it.

## SITE SELECTION

Choose a location where the ground is flat, clean, smooth and dry. Position the tent entrance away from the direction of the wind. Do not position on sharp, rocky or rough ground.

## GETTING STARTED

Unpack the tent and place the carry-bag somewhere safe. Separate all components and check that everything is present.

You should now ensure that all entrances to the tent are closed with all zips fully secured. If this is not done now, the tent will be out of alignment when fitting the tent pegs.

## POLES

Steel Corner Legs simply slot together.

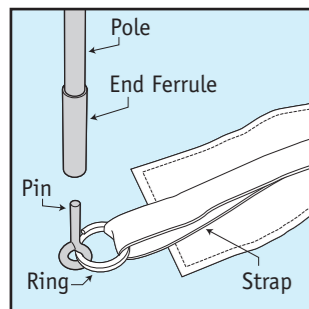
The Shock Corded Poles are folded down to aid storage. When fitting the pole sections together, make sure that the pole body is fully inserted into its adjoining ferrule.

Each steel corner leg is inserted into one of the four angles fitted to the ends of the shock corded poles.

## TENT FLYSHEET

Lay the tent out on the selected ground area with the entrance correctly positioned.

Insert the two shock corded poles into the crossover sleeves on the top of the tent. Now insert a corner leg into the angle end of each shock corded pole, raising the tent as each is inserted, then attach the pole clips.



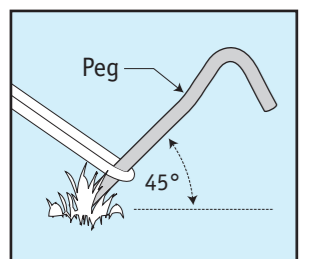
This process is made easier with the assistance of another person, each taking one corner per side.

Each pole end is held captive by a pin on a ring fitted to the end of a fixed length webbing strap. The ring is also used as the securing point for the tent peg.

## TENT PEGS

Starting with the four corners, secure the inner tent to the ground using the tent pegs.

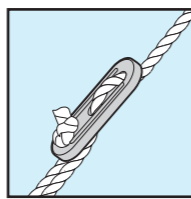
Secure the tent to the ground using the tent pegs.



This process is made easier with the assistance of another person supporting the tent from inside.

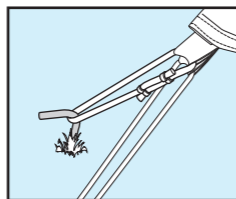
Each pole end is held captive by a pin on a ring fitted to the end of a fixed length webbing strap. The ring is also used as the securing point for the tent peg.

## GUY ROPES



Secure each guy rope, positioning its tent peg at a suitable distance from the tent.

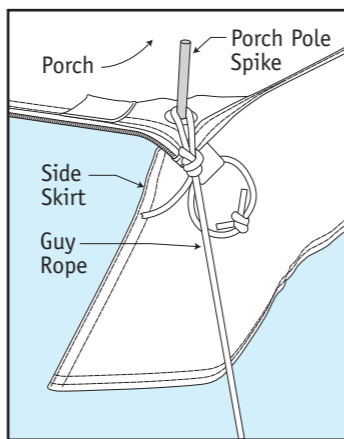
Once in position, tighten the ropes equally to bring the tent into its natural shape. DO NOT over tighten. To tighten, Hold the rope above the slider and pull the slider up. To release, again hold the rope above the slider and pull the slider down.



Remember that all guy ropes are a trip hazard especially in the dark.

Pegs that are used to secure an entrance or door opening can be left slightly raised. This will allow easy hooking and unhooking when opening or closing the door.

## ENTRANCE

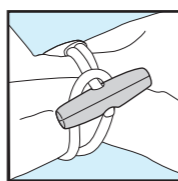


The entrance can be rolled up out of the way or raised to create a porch. When closed, the zip cover/baffle must be carefully pressed into place ensuring the Velcro tabs are aligned and the skirt correctly positioned, secured by tent pegs, to avoid water ingress should it rain.

The tent is supplied with two porch poles which simply slot together.

When used as a porch, insert the spike end of the porch poles into the entrance's corner eyelets then hook a guy rope over the spike and secure to the ground with a tent peg. Adjust each guy rope tension to bring the porch square.

## WINDOWS



The windows have curtains which can be closed and are secured in place with hook and loop tape or side zips. When open, carefully roll the curtain and secure with toggle and loop.

## SAFETY

It is advisable to have a 'Fire' bucket filled with water, placed outside the tent. Hopefully it will never be needed, but if it is, you will be glad you made the effort.

The tent's fabric is fire retardant, NOT fire proof and therefore you must not smoke or use a naked flame in or near the tent. This includes the traditional 'camp fire'.

Guy ropes can cause a trip hazard and should be marked so that passers by can see them.

Tent pegs are also a trip hazard and should not be left 'half in'.

## CLEANING, STORING AND REPAIRS

### Cleaning...

Both inside and outside of the tent should only be cleaned using fresh clean water and a damp cloth. Do not use detergents or chemical cleaners.

The inner ground sheet can be washed with a mild detergent.

### Storing...

The tent is best stored in its original carry-bag, however, if the tent is dismantled when wet, you MUST not leave it stored until it has been thoroughly dried. After a wet pack-up, erect the tent as soon as possible and allow to fully dry naturally before repacking in the carry-bag.

If stored when wet, the tent will suffer from mildew and will become unusable.

### Repairs...

Repairs to the tent should only be made by the manufacturer's recommended agents. Repairs made by an unauthorised party will make the manufacturer's warranty void.

## STORM AND WEATHER SUITABILITY

This tent is designed for light use in normal weather conditions. It is not suitable for storms, gales, sub zero or tropical conditions.

## UV DETERIORATION

Prolonged exposure to direct sunlight can weaken the fabric of the tent. To avoid the risk of UV Deterioration, site the tent in a shaded area, where it will be protected from exposure to strong sunlight.

## MOISTURE

Moisture collecting on the inside of the tent fabric is condensation caused by the occupier. It is NOT a sign of leakage.

Note that condensation or damage caused by it, is NOT covered by the manufacturer's warranty.

## SEAMS

This tent has all its main seams hot air taped to help prevent leakage. The remaining seams should be treated with a seam sealant to maximize the tents weatherproofing.

Seam sealant should also be applied to main seams where the tape has lost adhesion or has been damaged (tie points or suspension points for example).

Seam sealant is available from your SunnCamp stockist.

## DISMANTLING

To dismantle the tent, simply reverse the erection procedure.

All poles must be dismantled and the tent should be carefully rolled prior to placing back in the carry-bag.